

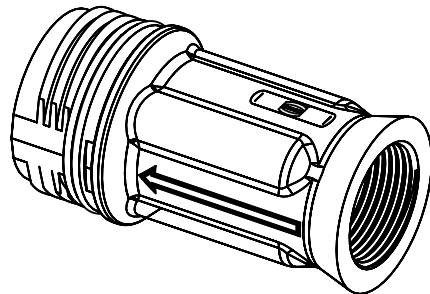
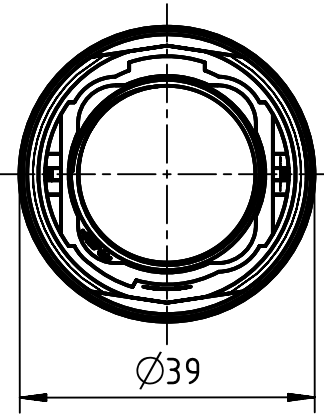
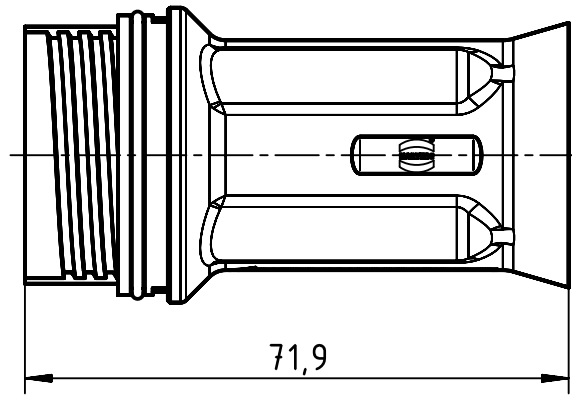
1 2 3 4 5 6

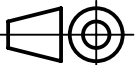

A

B

C

D



 All Dimensions in mm Original Size DIN A4	Scale	Free size tol.		Ref.	
	1:1			Sub.	
 All rights reserved Department EL PD	Created by	Inspected by	Standardisation	Date	State
	HELLMANN	BERGHORN	SCHMIDTM	2018-09-11	Final Release
HARTING Electric GmbH & Co. KG D-32339 Espelkamp	Title			Doc-Key / ECM-Nr.	
	Han F+B-HCC-M25 blue			100674.035/UGD/001/E 500000139619	
Type		Number		Rev.	Page
TB		19 15 513 1701		E	1/1